

il-**Ħuttafa**

Numru **178**

Settembru - Ottubru 2023



Fekruna Komuni



#bieb #uttaf...



Farfett tax-xewk (painted lady) isoff in-nektar mill-fjuri ta' tulliera

Fil-ġnien għandi pjanta tal-ghansar u das-sajf għamlitli l-fjuri għall-ewwel darba. Tgħidx kemm fraħt. L-ghansar jagħmel il-fjuri fuq bastun twil f'bukkett qisu pjuma.

Il-fjuri tal-ghansar ma jinfethux kollha f'daqqa. L-ewwel fetaħ saff fjuri fin-naħa t'isfel tal-bukkett, l-ghada fethu saff fjuri oħra fuqu, u baqgħu sejr in hekk jum wara l-ieħor sa ma fethu l-fjuri ta' fuq nett. Kull fjura damet biss ġurnata waħda miftuha. Kollox *clockwork!*

In-naħal sintendi kellu xalata jsoff in-nektar u jdakkar il-polin. U jien nosserva u nieħu r-ritratti!

Ftit ġimgħat wara, l-fjuri bdew isiru żerriegħa. U bħall-fjuri, iż-żerriegħa wkoll bdiet issir saff saff

minn isfel. Sa ma l-bastun kollu mtela żerriegħa! *Clockwork!*

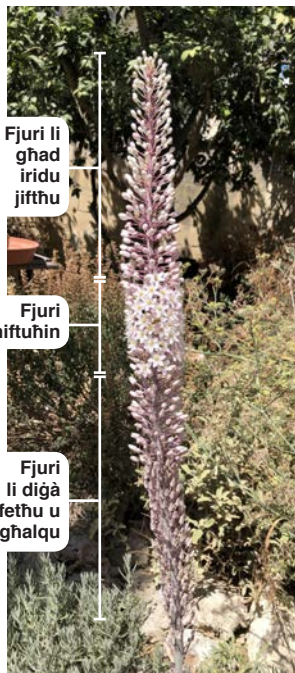
Imma nnutajt li parti mill-bastun ma kellhiex żerriegħa. Xejn, saff vojtt! Bdejt inħokk rasi. X'gara tgħid? Forsi dakinhar li fethu l-fjuri f'dak is-saff in-naħal ħaduha *off* u ma ġewx idakkru? Hmm...

lċekkajt ir-ritratti li kont hadt u ndunajt x'gara! Fil-ġurnata li fetaħ dak is-saff partikolari (31 Awwissu) kienet għamlet ix-xita! Fix-xita n-naħal ma jaħdimx għax ma jkunx jista' jtir. Għalhekk il-fjuri li fethu dakinhar tilfu ċ-ċans li jiddakkru. U naturalment iż-żerriegħa ma saritx.

Kemm hu sabiħ tiskopri s-sigrieti tan-natura!

Victor

Victor Falzon L-Editor



Fjuri li għad iridu jifethu

Fjuri miftuħin

Fjuri li diġà fethu u għalqu



Naħla tal-ġonna tixrob u ddakkar il-fjuri tal-ghansar



Il-gap vojta fil-bastun



F'dil-ħarġa...

Mill-editor	2
Aħbarijiet	3
X'għandna mid-dinja?	3
Għaliex?	4
L-għasafar kollha!	5
Tippoża!	5
Coastal riparian woodlands	6
Il-Maħbubin	7
Bagħdan Aħmar	8-9
Lampuki season	10
Agħti l-kulur	11
Photo Gallery	11
Young Birders Club	12
Ejja nibnu bird table	13
Tafu xi smajt?	14
Is-Serp Iswed	15
Back to school!	16

Kitbu

Thais Amaral u Charlie Matthews (National Aquarium), Elena (Ecohive), Desirée Falzon, Victor Falzon, Nathan Gambin

Klabb Huttaf

Klabb Huttaf is the junior (under 16) section of BirdLife Malta. Members

- can attend club activities, like walks, birdwatching, visits to nature reserves, boat trips and work to help nature
- receive *Il-Huttafa* every two months.

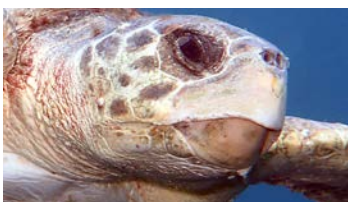
Your family too can become member, and you will then get *Bird's Eye View* magazine too. Annual subscription is €10 for Klabb Huttaf and €20 for Family.

Kuntatti

tel 21347645 / 21347646
emergency injured bird 79255697
 address 57/28 Triq Abate Rigord
 Ta' Xbiex XBX 1120
 editor email victor.falzon@birdlifemalta.org
 general email info@birdlifemalta.org
 website www.birdlifemalta.org

© BirdLife Malta, Ottubru 2023
 Design and production Victor Falzon
 Printer at Poulton's Print on sustainably sourced paper

Reg.Vol.Org. VO/0052



Ritratt ta' Mark-Anthony Falzon

Fekruna Komuni

Loggerhead Turtle *Caretta caretta*

Minkejja li f'isimha hemm 'komuni', mhux komuni li tara waħda waqt li tkun qed tghum, kif ra sehibna Mark-Anthony f'it ġimgħat ilu, meta hadilha dan ir-ritratt. Il-fkieren huma mharsin bil-liġi u hadd m'għadu jista' jaqbadhom kif kien isir dari. Madankollu xorta hafna fkieren imutu għax jieklu skart li narmu l-baħar.

Erba' tuzzani skorrut!

Victor Falzon



Matul is-sajf li għadda kellna żewġ bejtiet tal-**fekruna komuni**: waħda fir-Ramla l-Ħamra t'Għawdex u l-oħra fil-Ġnejna. Għal nofs Awwissu ż-żewġ bejtiet faqqsu b'suċċess. Mill-bejta tar-Ramla l-Ħamra faqqsu **32 fkejruna** u lkoll ġrew lejn il-baħar. Tliet ijiem wara faqqsu **17-il fkejruna** mill-bejta tal-Ġnejna.

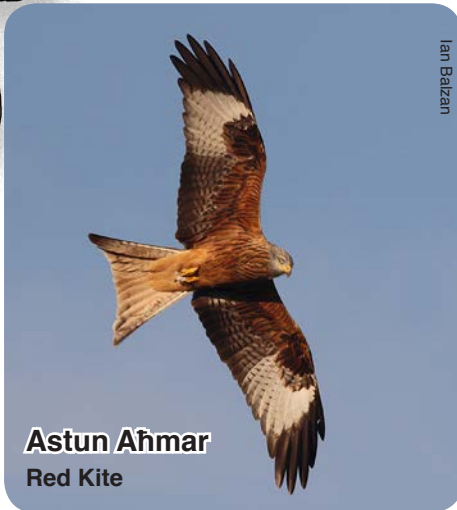
Minbarra l-bajd li faqqas, fiż-żewġ bejtiet kien hemm ukoll xi bajd li ma kienx fertilizzat u għalhekk dawn ma faqqasux. Din mhix haġa rari.

Minn qalbna ngħidu prosit lin-Nature Trust u lill-ERA li lejl u nhar indukraw il-bejtiet minn dakinhar li biedu l-ommijiet sa ma faqqsu l-frieh.



Arion Tanti

Ajkla tal-Kalzetti
Booted Eagle



Ian Balzan

Astun Ahmar
Red Kite



Arion Tanti

Avultun Abjad
Egyptian Vulture

Rix Rari

Kull ħarifa (f'Settembru u Ottubru) numru ta' birdwatchers tal-BirdLife jintefgħu kuljum il-Buskett biex josservaw x'tajr tal-priża jkun għaddej. Mhux biss biex igawduhom u jistudjawhom imma anke biex jirrapurtaw lill-pulizija jekk jaraw kaċċaturi jisparaw fuqhom (it-tajr tal-priża mħarsin bil-liġi). Dil-ħarifa (sad-9 Ottubru) l-birdwatchers tagħna tellgħu total ta' **4281 tajra tal-priża ta' 21 speċi differenti**. Fost dawn kien hemm daw it-tliet speċi rari t'hawn fuq. Waww!

Desirée Falzon



Gambli tal-Elmu
Tadpole Shrimps

Tal-Wej salvat

Tal-Wej huwa post sabiħ ħdejn in-Naxxar li hu interessanti għall-flora u l-fawna tiegħu, fosthom il-gambli tal-elmu, animal rarissmu. FI-2020 il-gvern iddikjara Tal-Wej protett bil-liġi (ara *Il-Fluttafa* 158). Imma xi sidien ta' art fl-inħawi pprotestaw, aktarx għax xtaqu jbiegħu l-art għall-bini. Ftit granet ilu l-qorti ddecidiet li Tal-Wej huwa ta' valur naturali u arkeologiku kbir u jixraqqu li jkun imħares mill-iżvilupp.

X'għandna mid-dinja?

Lura minn xifer l-estinzjoni



Dan l-għasfur sabiħ jgħidulu **takahe** u jgħix biss fi New Zealand. Darba kien komuni imma sas-Seklu 19 tant kien sar rari li fl-1898 iddikjarawh estint! Ħamsin sena wara reġa' nstab f'inħawi remoti tal-pajjiż. Minn dak iż-żmien 'l hawn saru sforzi biex it-takahe jerga' jzid u jinfirex. Illum hemm xi 500, numru żgħir imma li qed jikber. L-ikbar problema għat-takahe hija l-firien u nemes, predaturi aljeni fi New Zealand li ħarbtu l-fawna indiġena tal-pajjiż, fosthom it-takahe. Għalhekk l-awtoritajiet u għaqdiet bdew iduru gzejjer żgħar fil-pajjiż, ibattluhom mill-firien u predaturi aljeni oħrajn, biex imbagħad jitolqu fil-gzejjer xi pari takahe. Issa qed jintelqu takahe anke fir-riservi naturali tal-gzejjer prinċipali, bit-tama li fi ftit snin ikun hemm popolazzjonijiet sodi ta' dan l-għasfur impressjonanti.



Victor Falzon

5

Ghaliex is-sriep jinżgħu l-ġilda?



Victor Falzon

Dan is-serp ngħidulu qattus għax għajnejh qishom tal-qtates. Bl-Ingliż ukoll *cat snake*.

Isssssssa tafu ghaliex!

Is-sriep huma rettili, grupp ta' animali li ġeneralment ikollhom il-ġilda miksija bl-iskwami (*scales*). Skwami huma bħal qxur magħmulin minn materjal iebes (bħal difrejna) u jiksu l-ġilda kollha tar-rettilu. Is-sriep, il-gremxul, il-fkieren u l-kukkudrilli huma kollha rettili u ikoll għandhom kisja skwami fuq il-ġilda.

Ma tingirifx

L-iskwami jiproteġu l-ġilda tal-animall milli titqatta'. Is-sriep jgħaddu hajjithom jtkaxkru fl-art qalb affarijiet ibsin u horox, bħal ġebel u zkuk. Bis-saħħa tal-iskwami m'għandhomx għalfejn jinkwetaw li se jigirfu l-ġilda, bħalma jigri lilna!

Ma tiġġebbidx

Il-problema hi li meta jkollok ġilda miksija materjal iebes, din ma tkunx tista' tiġġebbed jew titwessa' meta l-animall ikun qed jikber jew jehxien.

Għalhekk meta s-sriep ikunu se jitwalu jew jehxienu... ikollhom jinżgħu l-ġilda! Bħal meta jkollna żarbun m'għadux jiġina għax qed nikbru u jkollna nixtru size ikbar u narmu l-qadim.

Ir-rettili kollha jinżgħu l-ġilda, imma min jinżagħha biċċa biċċa, u min – bħas-sriep – jinżagħha f'daqqa. Meta serp jinża' l-ġilda, ikun ukoll qed ineħhi xi parassiti li setgħu qabdulu mal-ġilda.

Fażi vulnerabbli

Meta serp ikun se jinża' l-ġilda, isib post kenni għax f'din il-fażi jkun vulnerabbli ħafna. Ikun qisu kavallier li qed ineħhi l-armatura, għalhekk ikollu jinħeba għax f'dawk il-mument jista' jattakkah predatur.

Mhux hekk biss, imma fis-sriep il-ġilda tiksilhom anke għajnejhom. Dik il-parti tal-ġilda sintendi tkun trasparenti halli s-serp ikun jista' jara, imma x'hin il-ġilda tibda tinqala' tiċċajpar u s-serp ma jkunx jista' jara. Is-serp ikollu jistenna sakemm tinqala' kollha, jaqsamha u joħroġ minnha!

Tibdila shiħa!

Il-qasma fil-ġilda ssir fir-ras. Is-serp jibda jtkaxkar 'il

quddiem, jithaxken bejn zkuk jew ġebel u huwa u għaddej joħroġ mill-ġilda. Fl-aħħar iħalliha warajh u bil-maqlub – bħalna meta kultant ninżgħu flokk u nħalluh bil-maqlub!

Issa s-serp irid jistenna sakemm il-ġilda l-ġdida tibbies, għax għall-ewwel tkun ratba ħalli tagħtiħ ċans jogħhod bil-forma u d-daqs il-ġdida. L-adulti jbiddu l-ġilda xi darbejn fis-sena imma ż-żgħar ibiddu iktar spiss għax ikunu jikbru iktar malajr.



Meta jkun ħa jbidel, il-ġilda fuq għajnejh tiċċajpar.

Aħna wkoll!

Raġuni oħra li s-sriep jinżgħu l-ġilda hija waħda li tgħodd għal kollox: biż-żmien l-affarijiet jiqdiemu u jkollhom bżonn jinbidlu.

Tafu li anke aħna l-bnedmin inbiddu l-ġilda? Mela xhiex, imma aħna ma nbidduhiex f'daqqa bħas-sriep! Li jigri hu li ċelloli żgħar ħafna jifrarfu l-hin kollu mill-ġilda tagħna u jehdulhom posthom ċelloli ġodda. Bla ma nindunaw.

U mn'alla ta! Mur arana noqogħdu xi ġimgha d-dar għax qed inbiddu l-ġilda, bħas-sriep!



Parti minn ġilda friska ta' serp iswed li nstabet fir-riserva naturali tal-Għadira

Victor Falzon

L-Ghasafar KOLLHA ta' Malta

F'Malta s'issa dehru f'tit **iktar minn 400 speċi** ta' ghasafar. Xi speċi huma komuni, ohrajn rari, uħud iżuruna f'tit granet fis-sena, ohrajn jgħixu magħna s-sena kollha. F'dis-sensiela qed ingħibu l-lista kollha! Dawn huma **Numri 91 sa 100...**



Isem Malti
Agrett Abjad
Isem Inġliż
Little Egret
Isem xjentifiku
Egretta garzetta

91



Isem Malti
Margun tat-Toppu
Isem Inġliż
European Shag
Isem xjentifiku
Gulosus aristotelis

96



Isem Malti
Agrett tax-Xatt
Isem Inġliż
Western Reef-egret
Isem xjentifiku
Egretta gularis

92



Isem Malti
Margun
Isem Inġliż
Great Cormorant
Isem xjentifiku
Phalacrocorax carbo

97



Isem Malti
Pellikan
Isem Inġliż
Great White Pelican
Isem xjentifiku
Pelecanus onocrotalus

93



Isem Malti
Tellerita
Isem Inġliż
Eurasian Thick-knee
Isem xjentifiku
Burhinus oedicnemus

98



Isem Malti
Sula
Isem Inġliż
Northern Gannet
Isem xjentifiku
Morus bassanus

94



Isem Malti
Gallina tal-Baħar
Isem Inġliż
Eurasian Oystercatcher
Isem xjentifiku
Haematopus ostralegus

99



Isem Malti
Margun Żgħir
Isem Inġliż
Pygmy Cormorant
Isem xjentifiku
Microcarbo pygmaeus

95

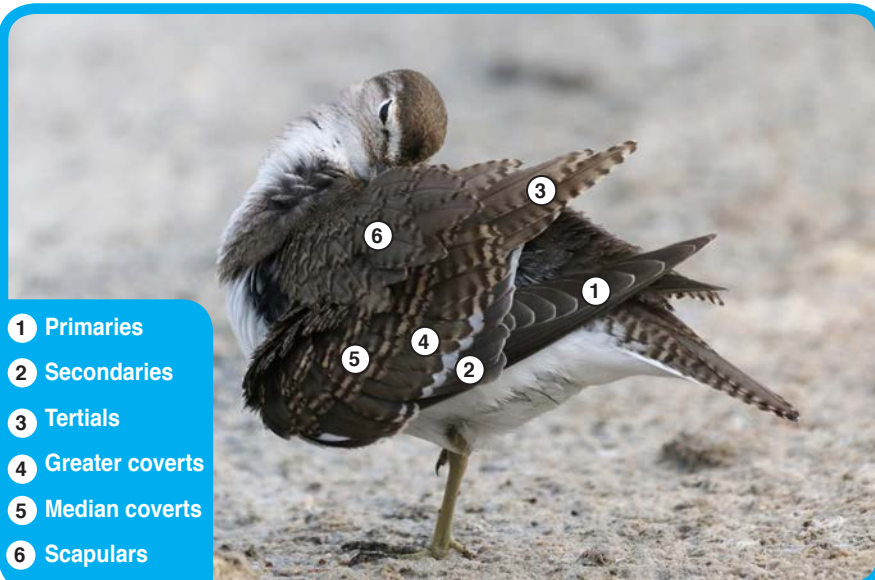


Isem Malti
Xifa
Isem Inġliż
Pied Avocet
Isem xjentifiku
Recurvirostra avosetta

100

Lista approvata minn BirdLife Malta. Għalkemm xi speċi magħrufin b'iktar minn isem wiehed, dawn huma l-ismijiet uffiċjali bil-Malti li tuża BirdLife Malta. L-ismijiet bl-Inġliż u xjentifiċi huma dawk li tuża BirdLife International (www.birdlife.org)

Aron Tanti



- 1 Primaries
- 2 Secondaries
- 3 Tertiars
- 4 Greater coverts
- 5 Median coverts
- 6 Scapulars

Pispisella għentilment tippoża biex turina l-partijiet differenti tal- għwienah!

Fil-verità din il-pispisella (*common sandpiper*) mhux tippoża qiegħda, imma qed tiffli u tippettna bir-reqqa r-rix tal-għwienah u ta' daharha. Dan huwa xogħol importanti li kull ghasfur jagħmel biex iżomm ir-rix f'kundizzjoni perfetta. Bl-Inġliż jgħidulu *preening*.

Coastal Riparian Woodlands



The salt tolerant African Tamarisk is a native of North Africa and southwestern Europe, including the Maltese Islands. This small tree or shrub has rather scale-like leaves with a greenish-blue hue.

It is adapted to living in saline habitats by concentrating the excess salt in its leaves which is later eliminated as it sheds its leaves. This adaptation prevents numerous insects & some animals from feeding on the tree.

Additionally, when salt is temporarily deposited on the soil surface, it makes growth of competing plants difficult.



The Oleander is native to the Mediterranean region including the south of Sicily. It is evergreen, with flowers in shades of white and pink. It also tolerates full sun exposure and is drought-tolerant.



The Chaste tree is native to the Mediterranean region and Western Asia. It has long, finger-shaped green leaves and purple to lilac flowers which bloom from June to October. The flower inflorescence attracts lots of insects.



Coastal riparian woodlands in the Maltese Islands include mostly the African Tamarisk (il-bruka), the Chaste Tree (is-sigra tal-virgi; l-ghadiba) and the Oleander (id-difla, l-oleandru). Although these species are also used in landscaping, they are very rare in the wild, usually confined to few areas with adequate freshwater in coastal areas, especially in Gozo.



All three species are legally protected differently in the Maltese Islands, particularly in protected areas.

il-Mahbubin



Il-friefet donnu kulhadd ihobhom hux! F'Malta friefet ghandna inqas minn 20 speci. Numru fqir meta tqabblu ma' artijiet ohrajn. Ghalhekk il-ftit li ghandna huma prezzjuzi u jehtiegu protezzjoni. Dawn disgha minnhom...



Bahri

Desirée Falzon



Farfett tal-Kaboċċi

Aron Tanti



Farfett tal-Bużbież

Victor Falzon



Farfett tas-Sardinell

Desirée Falzon

Il-farfett tas-sardinell huwa wiehed mill-iktar friefet ricenti li dahlu Malta. Dahal aktarx bhala bajd jew xghat (caterpillars) fi qsari impurtanti minn barra.

Il-farfett spiss ikun ikkulurit mhux biex jidher sabih imma ghad-difiza. Jekk ghasfur jattakkah, il-farfett jiftah ġwinhajh biex jahrab u jitfaċċaw il-kuluri. L-ghasfur forsi jinhasad xi ftit u jaghti sekonda ċans lill-farfett jiżgiċċa.



Farfett tal-Anglu

Victor Falzon



Farfett tal-Hurrieq

Desirée Falzon



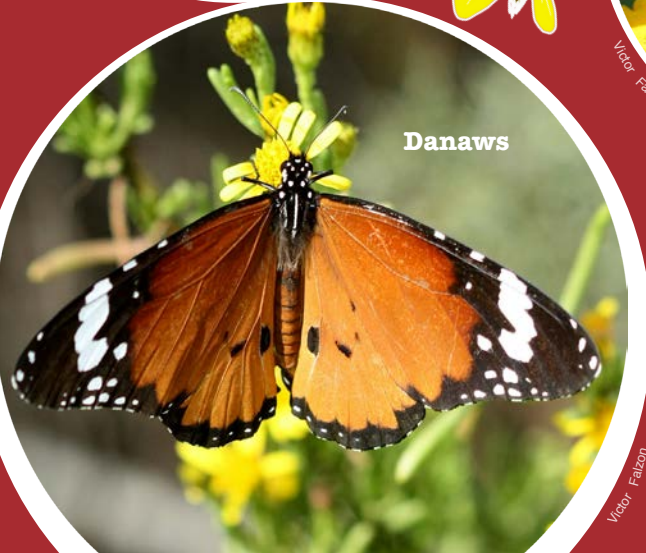
Farfett tas-Silla

Francesco Tanti



Farfett taż-Żiju

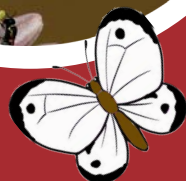
Aron Tanti



Danaws

Victor Falzon

Meta l-friefet jinzlu fuq pjanta spiss jaghlqu ġwinhajhom. Il-ġwienah maghluqin jaghtu inqas fl-ghajn, kultant ikunu anke kamuflass. Perezempju meta l-farfett taż-żiju jaghlaq il-ġwienah jiġi qisu werqa. Bil-vini bl'kollox!



Baghdan Ahmar

Western Marsh-harrier *Circus aeruginosus*





LAMPUKI SEASON IS HERE!



For sure you've heard about lampuki, but how much do you really know about our beautiful green and gold friends? Let's have a look!

THE SCIENCE

Scientific name: *Coryphaena hippurus*
Common names: common dolphinfish, dorado, mahi-mahi, or simply *lampuki* in Maltese
Maximum length: over 1m
Maximum weight: over 18kg - the biggest one ever caught weighed nearly 40kg!
Top speed: 93km/h
Minimum catch size in Malta: 40cm

FUN FACT

'Mahi' is the Hawaiian word for 'strong' - so 'Mahi-Mahi' really shows how strong and energetic these fish are!



THE SEASON

The fishing season for *lampuki* traditionally starts at *Santa Marija* in August and lasts until the end of December. The fish being caught in Malta have likely spawned in Cyprus, and are migrating past our archipelago.



THE FISHING

Lampuki fishing has been done for thousands of years all over the world. This Greek painting, for example, is over 3500 years old and shows a lot of them being caught by a fisherman!

The way we catch them here in Malta has barely changed through time. Known as '*kannizzati*', the technique basically consists of using floating palm tree rafts which are used as shelter by the fish looking for shade during the peak of sunlight. The fishermen wait and then scoop them up with a big net!

DID YOU KNOW?

Lampuki pie is the oldest published recipe in Maltese!



THE SUSTAINABILITY

The species is a very sustainable source of seafood as the *lampuki* mature, grow and spawn very fast. This means that their populations have enough time to recover after being fished! They can start reproducing as small as 20cm long, and a female can release up to a million eggs at a time.

Agtati kultur!



Victor Falson

il-girwiel prim

Għasfur ftit skars mhux hażin. Iħobb postijiet bit-tajn u bl-ilma fejn joqgħod jistad għad-dud b'dak il-munqar enormi li għandu! Saqajh twal biex ikun jista' jinżel fl-ilma bla ma jsir għasra! BI-Ingliz jghidulu **black-tailed godwit**.

Bongu! Qatt ma rajtek dan-naħat. Inti ġdid hawnhekk?

Tgħidx ħmerijiet! Jien it-tarf l-ieħor tiegħek stess!

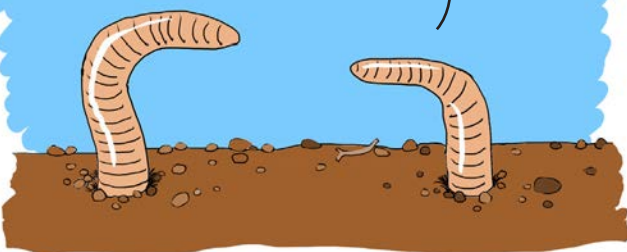


Photo Gallery

Wiżgħa tal-Kampanja
Leanne Bugeja 8

m Days!  Club Days!  Fun Day  Clu



In Klabb Ħuttaf we do lots of fun activities and adventures for you and your family. Check out our website for our next exciting activity!

www.birdlifemalta.org/events





Young birder **Nathan Gambin** writes about

Autumn Raptor Migration at Buskett

Bird photos by Nathan and Kevin Gambin



Vantage point

In early September we start visiting our observatory point in Buskett and continue to do so until mid-October. It's a high area overlooking Buskett valley, an ideal vantage point since many birds of prey migrate quite high and only come down when it's time to ¹roost.

A long journey

Many birds at this time of year come from various countries in Europe. Young birds born this year often rely on the experience of adult birds to find their way.

Birds of prey (also called raptors) migrating over the central

Mediterranean use Malta as a stopover on their way to warmer climates. After leaving Malta they cross the sea again and reach North Africa. Many birds also cross the Sahara Desert to get to their wintering grounds in Central Africa. The ²juveniles often stay two to three years in

Africa until they become adults. Then they return north in spring.

Thousands of raptors!

Usually, the first birds of prey to appear are **marsh-harriers**. These are the most common raptors in Malta (2800+ seen this autumn). The first falcons to pass through are **Eleonora's falcons** (around 40 seen this autumn). **Honey-buzzards** are also common (1036+ seen this autumn), and every afternoon we also saw several **hobbies** flying around chasing prey.

The peak period of autumn migration for long-distance migrants is the second and third week of September. At this



Birdwatchers at our Buskett observatory

Ray Galea

Black Kite



Levant Sparrowhawk



Hobby



Short-toed Eagle

time ³hirundines and **bee-eaters** too are seen in good numbers.

A list of lifers!

From late September to early October, rarer birds like eagles and storks appear. This year was very special because within a week we saw **booted eagle, Egyptian vulture, short-toed eagle, Levant sparrowhawk, lesser spotted eagle, red kite, white stork and black stork!** All seen from Buskett.

For me, seeing these species was the autumn highlight, because most of them were ⁴lifers for me. I got to see them by going to Buskett on most days after school. The Levant sparrowhawk was also a lifer for our club leader Nick and he was so happy that we celebrated with pizza at Buskett!

Unfortunately many of these birds were injured or killed by poachers, so the joy of seeing them soon turns into sadness. I hope that through BirdLife Malta's work these birds start surviving their stay in Malta.



A young Egyptian vulture over Buskett



Nathan Gambin

¹roost. Sleep

²juveniles. Young birds

³hirundines. Swallows and martins

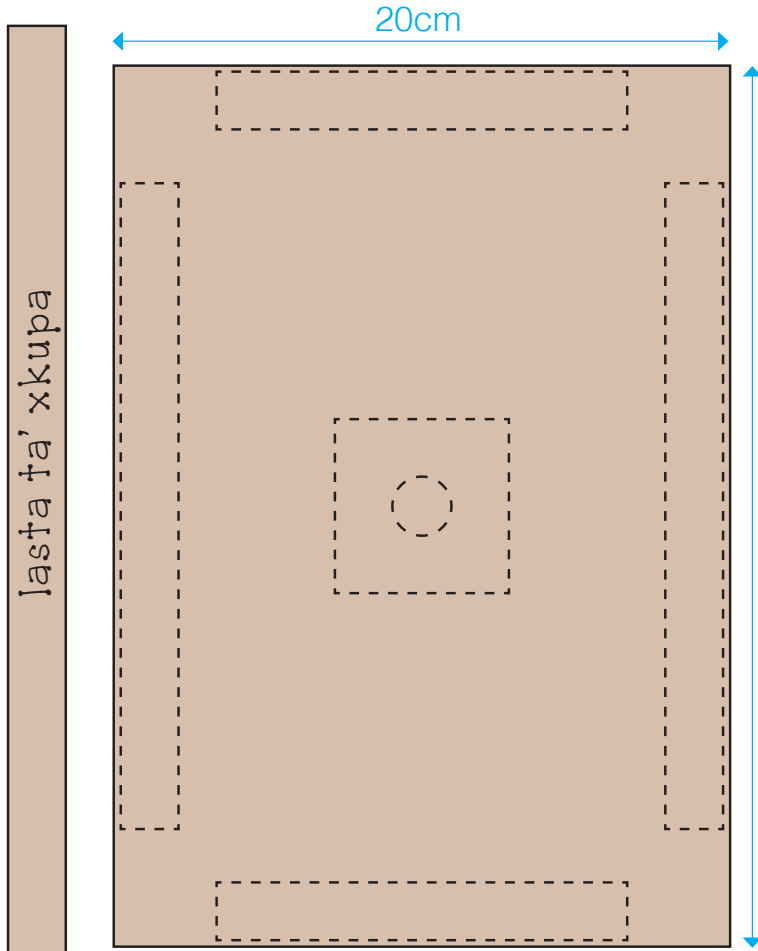
⁴lifer. A species (usually a rare one) seen for the first time

The Young Birders Club is part of Klabb Huttaf.

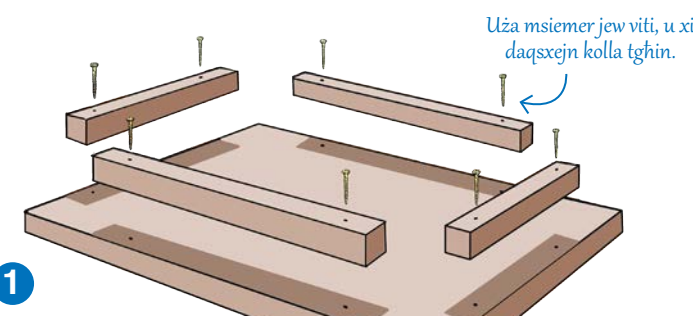
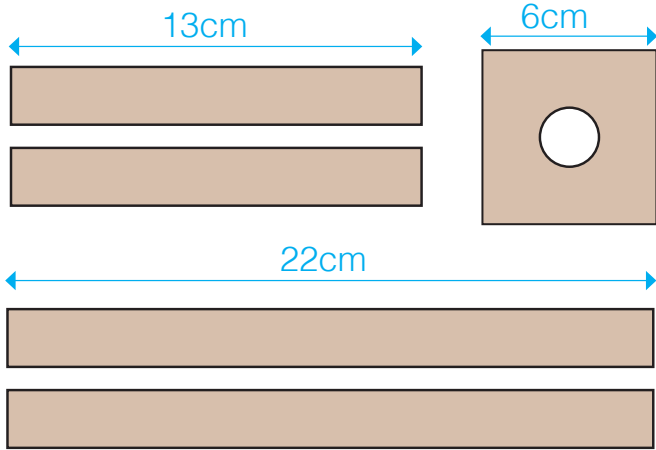
To join the group ask your parents to email

nicholas.galea@birdlifemalta.org

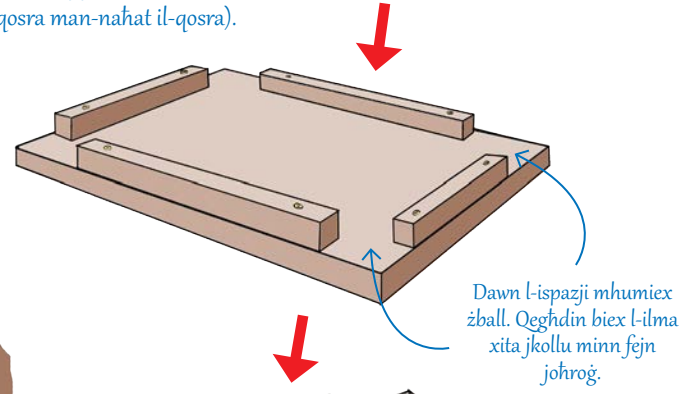
Ejja nibnu bird table!



- ### Għandek bżonn
- Tavla marine plywood 30 x 20cm, xi 1.5cm ħxuna
 - 2 strippi njam twal 22cm, xi 2cm ħxuna
 - 2 strippi njam twal 13cm, xi 2cm ħxuna
 - Lasta ta' xkupa, b'tarf minnha ppuntat
 - Blokka njam 6 x 6 x 4cm, b'toqba tonda f'nofsha (biex tidhol fiha l-lasta tal-ixkupa)
 - viti, imsiemer, kolla tal-injam



1 Wahhal l-erba' strippi mal-ġnub tat-tavla (l-istrippi t-twal man-nahat it-twal u l-qosra man-nahat il-qosra).

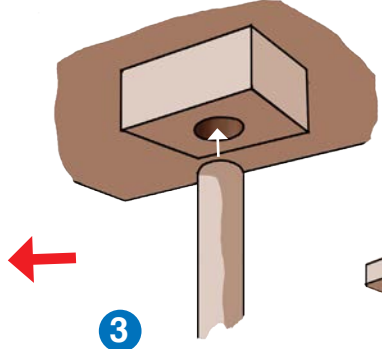
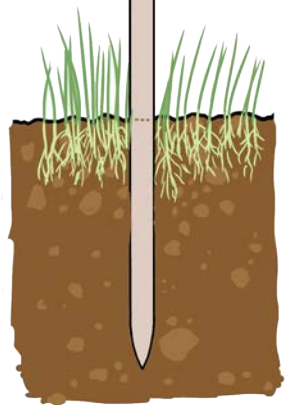


2 Wahhal il-blokka man-naha t'isfel tat-tavla. Qis li twahhalha fin-nofs.

Issa li jibqa' hu li tifirxilna fuqha ikel bnin: frak tal-kejk u gallettini, żrieragh, xi rummiena maqsuma. Yum! Yum!



4 It-tarf l-ippuntat deffsu fil-hamrija. U lest!



3 Dahhal it-tarf iċ-ċatt tal-lasta tal-ixkupa fil-blokka. Jekk il-lasta ma tidholx issikkata uża viti jew kolla biex tiġi soda.

Tafu xi smajt?!

Smajt li Din l-Art Helwa u l-Bank of Valletta qed jorganizzaw kompetizzjoni tal-fotografija għalina t-tfal! Iriduna mmorru sal-Park tal-Majjistral biex niskopru aktar dwar il-flora u l-fawna ta' pajjiżna. Jien ma kontx naf eżatt fejn qiegħed imma bil-moħbi fittixt fuq il-kompjuter ta' hija u qed inpoġġilkom mappa sigrieta fil-ġenb. Shhh tikxfunix!



Jidher hemm sabiħ hafna, għax rajt xi ritratti onlajn! Jekk bhali għandkom bejn l-10 u s-16-il sena (minix se nghidilkom kemm għandi żmien għax jien sinjorina) morru sal-Park Tal-Majjistral u ħudu ritratt ta' xi pjanta li għogbitkom u ta' xi annimal gustuż (bhali). Kif tkunu hemm ħudu wkoll stessu (selfie) tagħkom gewwa l-Park!

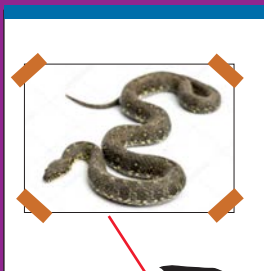
U għadni m'għidtilkomx l-aqwa haġa! Jekk tirbħu ('jekk' importanti għax jien ukoll diehla fil-kompetizzjoni) u tiġu l-ewwel jew it-tieni għandkom premju għal kull kategorija. Hemm iċ-ċans li jiġu esebiti wkoll! Ir-ritratti jridu jintbagħtu fuq: admin@dinlarthelwa.org u stanleyfarrugiarandon@gmail.com. Għandkom ċans sat-30 ta' Diċembru 2023 u għal aktar informazzjoni tistgħu żżuru dan is-sit:

<https://dinlarthelwa.org/news/photography-exhibition-launched-by-dlh-and-bov/>.

Narakom hemm!



Victor Falzon



F'xi nhawi tal-Ewropa (mhux f'Malta) is-serp iswed ikun hadrani. Fil-fatt hemmhekk isejnhulu **green whipsnake**. L-istess speċi, razza differenti.



is-Serp Iswed

- ◆ Is-serp iswed huwa wiehed minn erba' speċi ta' sriep li nsibu Malta.
- ◆ BI-Ingliz jgħidulu **black whipsnake** jew **western whipsnake**. L-isem xjentifiku tas-serp iswed huwa **Hierophis viridiflavus**.
- ◆ Is-serp iswed huwa l-iktar serp komuni u mifrux f'pajjiżna u jinsab f'Malta, f'Għawdex u anke fuq Kemmuna.
- ◆ Is-serp iswed huwa aktarx l-uniku serp ¹indigenu f'Malta. It-tliet speċi l-oħrajn aktarx kollha ddaħnhu Malta mill-bniedem f'xi żmien jew ieħor.
- ◆ Is-serp iswed jikber sa xi 150m jew ftit iktar. Qatt ma jkun eħxen minn xi 3cm.
- ◆ Is-serp iswed huwa ²predatur. Jaqbad ġrieden, firien, gremxul, xaħmet l-art, żringijiet u anke jisraq bajd u frieħ mill-bejtiet ta' xi għasafar, speċjalment għasafar li jbejtu fl-art, bħall-bilbla. Dan jagħmlu għax ikollu l-ġuħ!
- ◆ Is-serp iswed m'għandux velenu. Joqtol il-priza billi jitkebbeb magħha sa ma taqta' nifisha.
- ◆ Il-kulur tal-adult, kif jixhed ismu, huwa iswed ileqq. Minn taħt ikun griż.
- ◆ Il-frieħ differenti sew mill-adulti. Dawn ikunu griži fil-kannella, b'xi marki madwar rashom. Ħafna nies jaħsbuħom xi speċi oħra.
- ◆ Bħal diversi rettili oħrajn, is-serp iswed jorqod raqda twila fix-xitwa. Dan għaliex tkun wisq kesħa biex ġismu jiffunzjona.
- ◆ Bħar-rettili l-oħrajn, is-serp iswed huwa mħares bil-liġi f'Malta.



Victor Falzon

Il-ferħ tas-serp iswed ikun griż fil-kannella b'xi marki madwar ir-ras.

¹indigenu. Speċi li minn dejjem kienet tinsab f'dak ir-reġjun (bl-Ingliz *native*)
²predatur. Annimal li jiekol animala oħrajn

ECOHIVE MISSIONS
BACK TO SCHOOL
WRITTEN BY VALENTINA

HI! LET'S GO IN, WE DON'T WANT TO BE LATE!

HI THERE! YES, LET'S GET TO CLASS!

IT WAS A NICE SUNNY DAY AT ECOHIVE ACADEMY

I CAN'T BELIEVE HOW MANY REUSABLE STATIONERY ITEMS I FOUND AFTER I CLEANED MY ROOM!

ME TOO! THERE'S NO POINT IN BUYING ALL NEW STUFF SINCE SO MUCH CAN BE REUSED!

REUSABLE SCHOOL SUPPLIES? I HAVE THE PERFECT PLAN TO PUT A STOP TO THIS ECO-NONSENSE ONCE AND FOR ALL!

I'LL TRICK KIDS INTO BUYING ALL NEW STATIONERY! THE AMOUNT OF HARM TO THE ENVIRONMENT WILL BE BEAUTIFUL!

A FEW MOMENTS LATER

THIS MACHINE WILL PRINT SO MANY POSTERS! SO MUCH PAPER WASTED AND POLLUTION GENERATED! I'M GENIUS!

BACK TO SCHOOL? REUSING IS LAME! BUY NEW! BE COOL!

BACK TO SCHOOL? REUSING IS LAME!

MEANWHILE AT ECOHIVE

I SURE HOPE THE KIDS ARE GOING TO REUSE THEIR SCHOOL SUPPLIES.

ME TOO! WHAT'S THAT? AN ECO-EMERGENCY CALL?!

BEEP BEEP!

BEEP BEEP!

KIDS ARE OUT THERE BUYING TONS OF NEW SUPPLIES! SOMEONE IS BULLYING THEM WITH POSTERS MAKING FUN OF REUSING.

OH NO! WE HAVE TO STOP IT! WHERE ARE THESE POSTERS COMING FROM?!

AGENT RODNEY

GOOD JOB! NOW LET'S HURRY AND CATCH THE CULPRIT BEFORE THE POLLUTION GETS TOO BAD!

WE TRACED SUSPICIOUS ACTIVITY TO AN ABANDONED RECYCLING PLANT.

AGENT BEE

THUD THUD

PSSSHH!

LOOKS LIKE WE'RE AT THE RIGHT PLACE! CAN YOU SMELL THE GASES?

I DON'T THINK IT'S JUST THE POLLUTION WE'RE SMELLING...

MY PLAN IS WORKING PERFECTLY! SOON, THIS TOWN WILL BE DROWNING IN WASTE!

CLINK CLONK

NOT ON OUR WATCH, GARBAGE MONSTER!

YOU'RE NOT FOOLING ANYONE WITH THESE!

THUD THUD

CLINK CLONK

YOUR VILLAIN DAYS ARE OVER!

SNAP!

NEXT TIME, I'LL BE SURE TO BURY THIS TOWN IN TRASH!

WHERE DID HE GO? I CAN'T SEE!

COUGH

COUGH

WE'LL GET HIM NEXT TIME. LET'S ORGANISE A COMMUNITY CLEANUP FIRST!

WE BELIEVE IN REUSING, REDUCING, AND RECYCLING, NOT CREATING UNNECESSARY WASTE!

AND WE'LL MAKE SURE EVERYONE KNOWS THE IMPORTANCE OF RESPONSIBLE CONSUMPTION.

VISIT ECOHIVE.COM.MT/KIDS